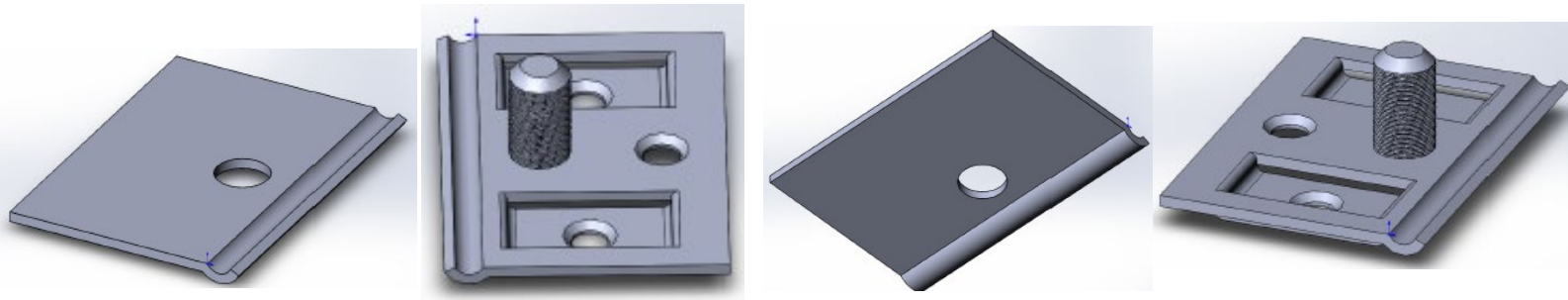


Mounting Accessories

Fitting Clamp Heavy-V2

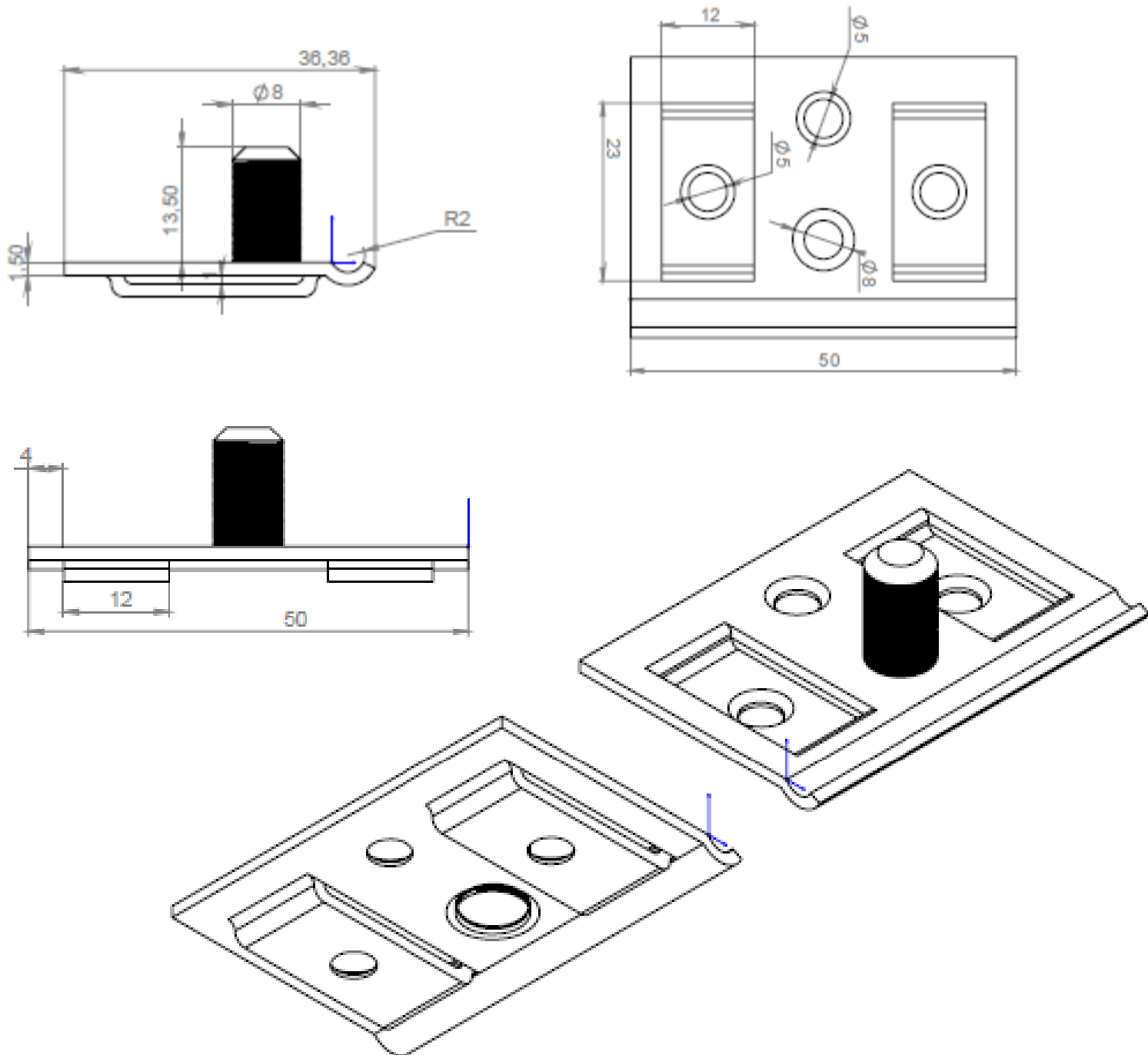
Fitting Clamp Heavy-V2 pole and wall mount support for Fig8 and ADSS cables, for pole mounting use bandage tape, bolt and nuts, one nuts coming with packing for wall mounting using dowel and screw, suggested cable or messenger dimension from 2 to 6 mm, tension load **8KN**.



TECHNICAL SHEET

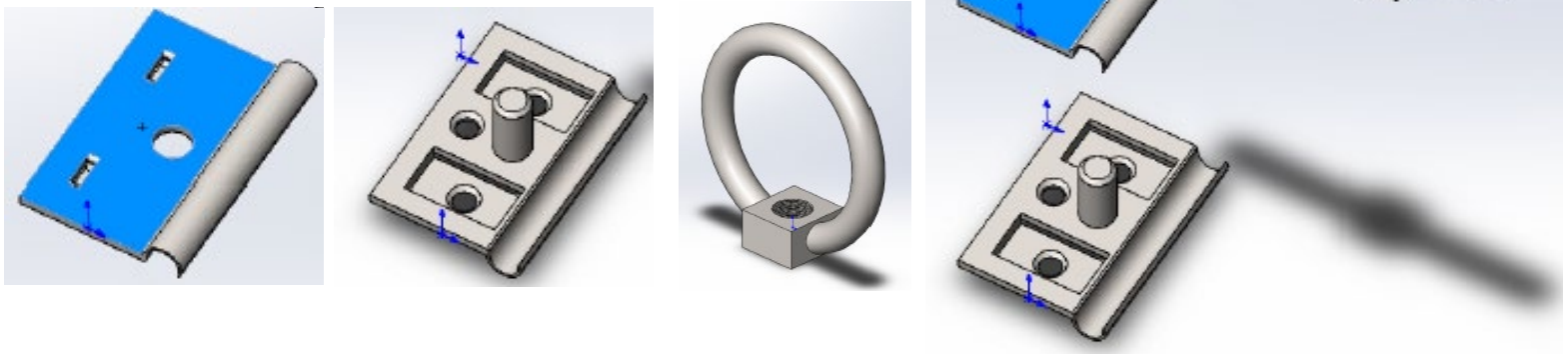
Model	Heavy-V2
Material	Electricity Galvanized Steel
Cable type	ADSS & Fig8
Cable/Messenger OD (mm)	2 - 6
MTL (kN)	8
Size (mm)	width 50mm / height 36.4mm
Metal thickness (mm)	1.5

Technical Drawing:



Fitting clamp Hevy-V2-AC

Fitting clamp Hevy-V2-AC suitable for more than one cable mounts for drop and distribution cables, max. allowable tension load is **6kN**



TECHNICAL SHEET

Model	Heavy-V2-AC
Material	Electricity Galvanized Steel
Cable type	ADSS & Fig8
Heavy-V2 MTL (kN)	8
Heavy-AC MTL (kN)	6
Oring Inner Size (mm)	17
Oring Outer Size (mm)	23
Oring Metal thickness (mm)	6

Technical Drawing:

